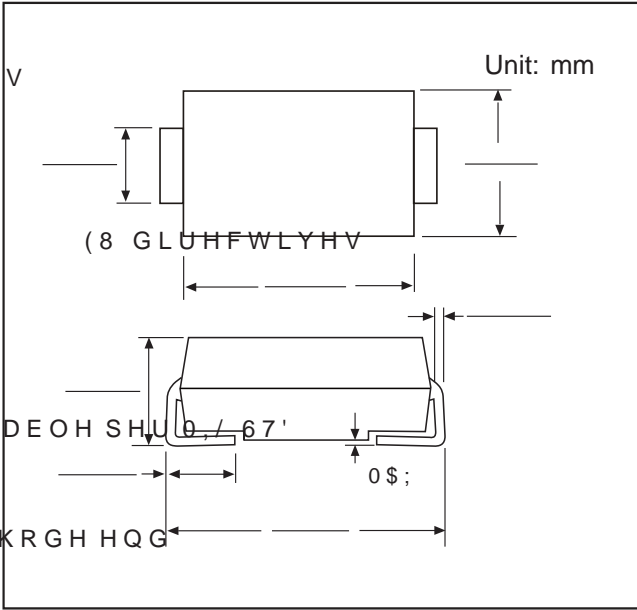


60% 3/\$676&/, & 25(&7, ), (56

)( \$785(6  
 ")RU VXUIDFH PRXQWHG DSSOLFDWLRQV  
 "/RZ SURILOH SDFNDJH  
 "\*ODVV 3DVLVLYDWHG &KLS -XQFWLRQ  
 "6XSHUIDVW UHYHUVH UHFRYHU\ WLPH  
 "/HDG IUHH LQ FRPSO\ ZLWK (8 5R+6  
  
 0(&+\$1, &\$'/\$7\$  
 "&DVH 60% PROGHG SODVWLF ERG\  
 "7HUPLQDOV 6ROGHU SODWHG VROGHUDEOH SHU  
 0HWKRG  
 "3RODULW\ &RORU EDQG GHQRWHV FDWKRGH HQG  
 "ORXQWLQJ 3RVLWLRQ \$Q\



0\$;, 080 5\$7, 1\*6 \$1' &+\$5\$&7(5, 67, &6

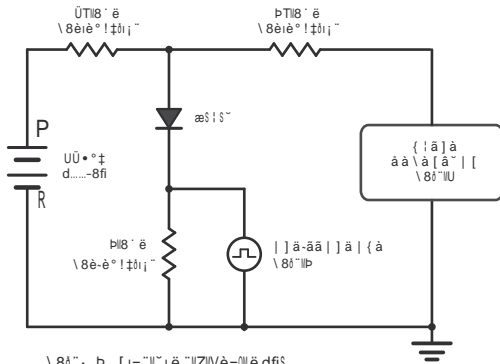
# f &\$ PELH F W SHUDX Q X Q R H W K H U Z L W H G

		(6 \$	(6 %	(6 &	(6 '	(6 (	(6 *	(6 -	81,76
0D[LPXP HFXLSUHDQMYHYR/CHWDJH	9 <sub>550</sub>								9
0D[LPXP 6YROWD JH	9 <sub>506</sub>								9
0D[LPX & EORFMBOJWDJH	9 <sub>&amp;</sub>								9
0D[LPXPYHUDJH )RUZDUKSHUFWLHG /HDG /HQWK	PP 9								\$
3HD)RUZDUK &XUUHQVVLQJOMLQHZDYH VXSHULPSRUHDVRECECMethod)	60								\$
0D[LPXP ,QVWDQWDQHRXV )RUZDUK 9ROWD JH DW	9								9
0D[LPXP HYHFUXUHQW DW DW & GORFMBOJWDJH	# 7s 6								- \$
0D[LPXP HYHFUR WLP RWH	W								QV
7\SLFDO -XQFWLRQ &DSDFLWDQFH	D & 95 9   0+]								S)
7\SLFDO WKHUPDO UHVLVWDQFH	5-\$ 1RWH 5,-&								:
2SHUDWLQJ DQG 6WRUDJH 7HPSHU UDW XUH 5DQJH	a								

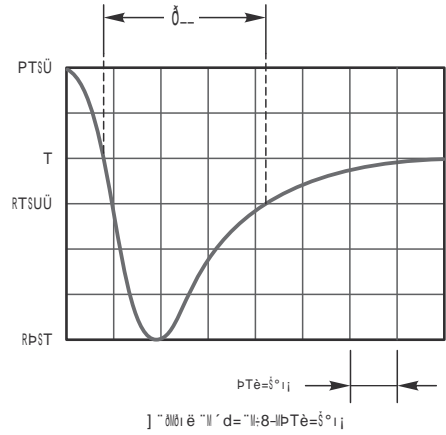
1 RWH Reverse recovery condition If=0.5A, Ir=1.0A, Irr=0.25A  
 2.P.C.B.mounted with 0.2x0.2"(5.0x5.0mm)popper pad areas

5 \$ 7 , 1 \* 6 \$ 1 ' & + \$ 5 \$ & 7 ( 5 , 6 7 , & & 8 5 9 ( 6

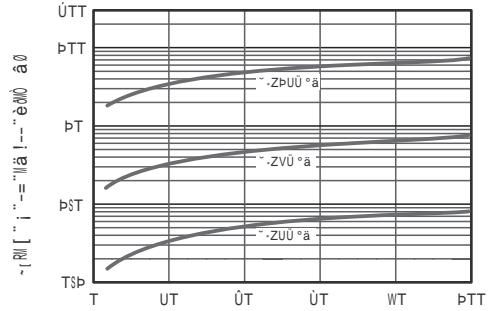
& i \$ \$ P M [ " i " - = " M [ " f 8 j " - 5 M ~ i e " M a ' d - d f 0 " - i = 0 i f M a e ° M " = M a i - f ! i M a e d \$ - d e



\ 8 d " : p . [ i = " M " i e " M Z I V e = M e d f i s  
 - e . . ! M - e . . " ° d e f " M Z I p e " \$ 8 " e Q U U . . & S  
 U S I [ i " = " i e " M Z P T e = M e d f i s  
 ] 8 ! - f " M - e . . " ° d e f " M Z I U T I 8 ' e = S I I



& i \$ \$ U M ~ 5 . . . i f d M [ " i " - = " M a ' d - d f 0 " - i = 0 i f =



ä d = " M " e . . " - d 0 ! - " M 0 ° ä 0

